

202CMLF Brass Stop & Waste Valve

Specification Sheet

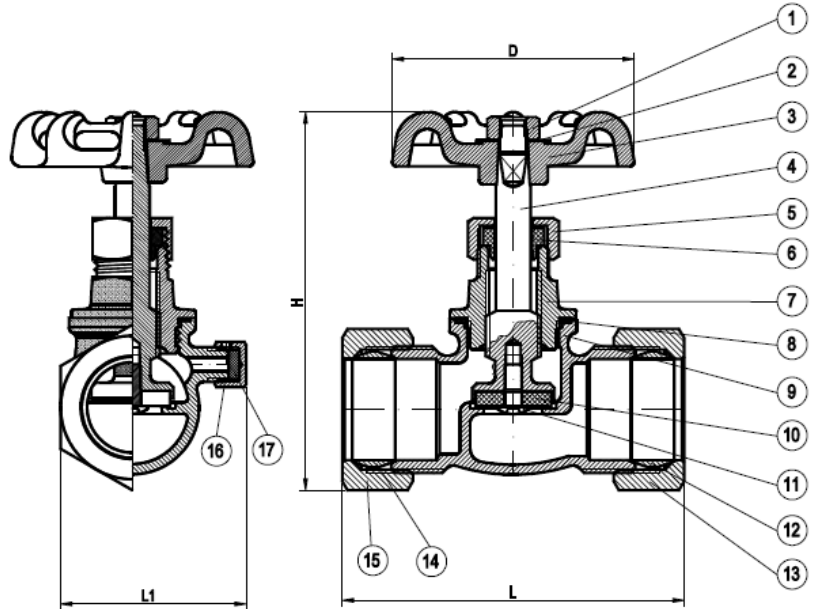
FEATURES & BENEFITS

- Lead Free Brass
- 125 WOG
- IAPMO & cUPC Approved
- Compression Ends
- With Brass Nut & Ferrule
- Size 1/2" and 3/4"



MATERIAL SPECIFICATIONS

No.	Part	Material
1	Wheel Nut	Hot RolledSAE 1010R
2	Name Plate	Aluminum A 1070
3	Handle Wheel	Rod-Carbon Steel SAE 1006
4	Stem	Brass C46400
Q	Packing Nut	Brass B124 C37700
6	Packing	EPDM SN-719F
7	Bonnet	Brass C46400
8	Washer	Fibre 'H'
9	Body	Brass C46400
10	Seat Packing	EPDM SN-719F
11	Seat Screw	JIS H3260 C2600W
12	Sleeve	Brass C46400
13	Packing Nut	Brass B124 C37700
14	Sleeve	Brass C46400
15	Packing Nut	Brass B124 C37700
16	Nipple Nut	Brass B124 C37700
17	Packing	EPDM SN-719F



DIMENSIONS

Part #	Size	H	L	L1	D
202CMLF	1/2"	3.14	2.84	1.49	2.11
202CM4LF	3/4"	3.32	2.98	1.72	2.11

